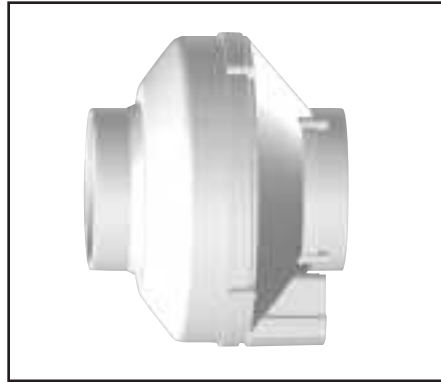




Quantum

INLINE FAN SERIES

THE ULTIMATE IN-LINE FAN



Model 99-NBQ325-6

General

Before installation, careful consideration must be given to how this system will operate if connected to any other piece of mechanical equipment. It is always important to assess how the operation of any air movement device may interact with vented combustion equipment (i.e. Gas Furnaces, Oil Furnaces, Wood Stoves, etc.).

NEVER install a ventilator in a situation where its normal operation, lack of operation or partial failure may result in the backdrafting or improper functioning of vented combustion equipment without proper safety/warning devices installed as required.

Table of Contents

General	1
Table of Contents	1
Specifications	2
Installation	3
Mounting	3
Electrical	4
Troubleshooting	4
Maintenance	4



Airia Quantum Series in-line fans are approved for both Residential and Commercial applications. The superior plastic resin is suitable for applications requiring fire rated materials and provides a quiet, weatherproof, versatile fan.

Plastic fans are suitable for indoor OR outdoor installations and are suitable for temperatures of -40°F (-40°C) to 104°F (40°C).

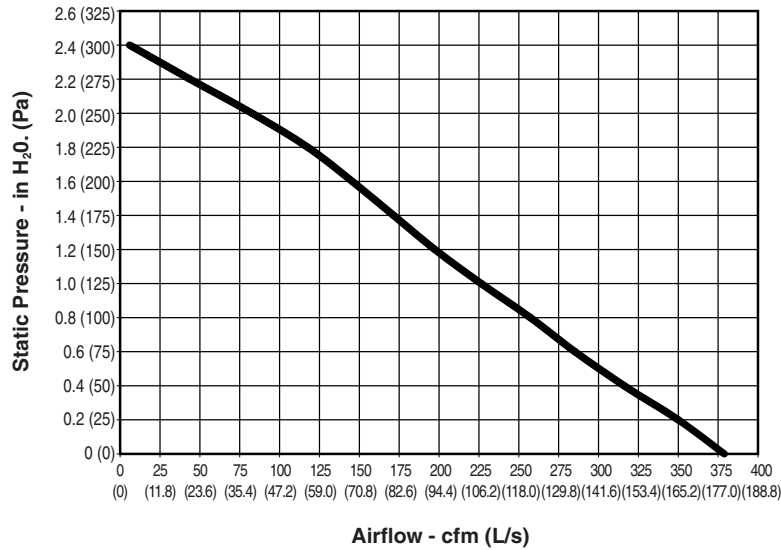
⚠ WARNING

Do not use fan where water can/will accumulate inside fan housing. When required – always use suitable electrical connections to prevent water from entering the fan housing.

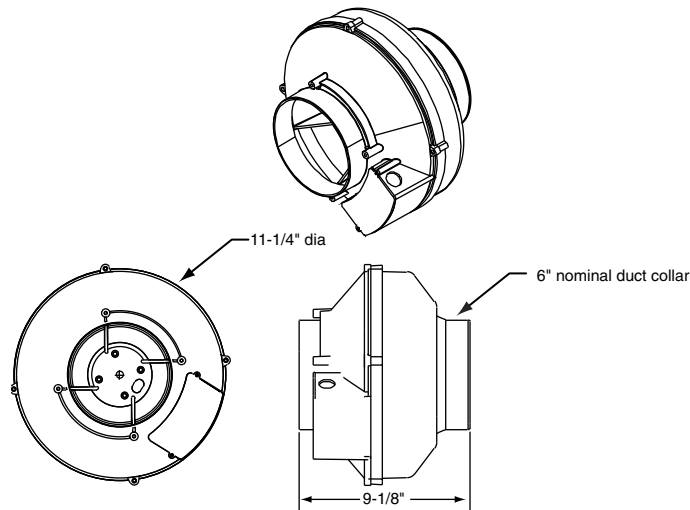
⚠ CAUTION

For general ventilation only. DO NOT use this fan to exhaust hazardous or explosive material and vapors.

NBQ325-6 - Dedicated 6"



Model 99-NBQ325-6



Installation

Mounting

Fans can be mounted in ANY position (vertical, horizontal, diagonal).

Option 1

A mounting bracket is included for securing the fan. Please observe the mounting 'bosses' on one end of the fan. All necessary hardware is included for mounting the fan with the supplied bracket (see Figure 1).



Figure 1

Option 2

Optional Stabilizing Mounting Clamps are available for mounting the fan. These clamps are designed to absorb mechanical vibration and provide a stable mounting point (see Figure 2).

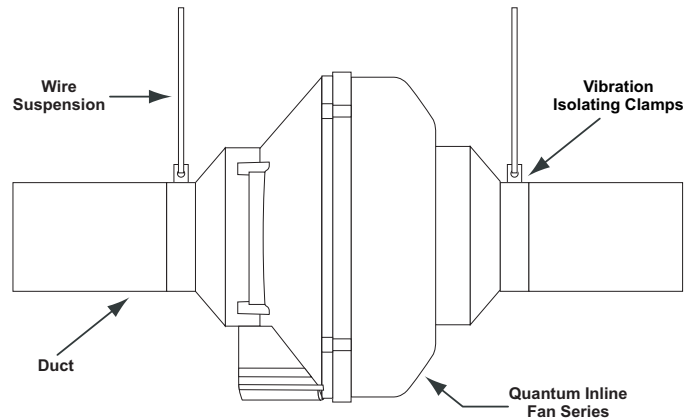


Figure 2

Option 3

The fan can be supported using standard hanging straps as illustrated. It is recommended to use a short piece of flexible ducting on each end of the fan to isolate any mechanical vibration (see Figure 3).

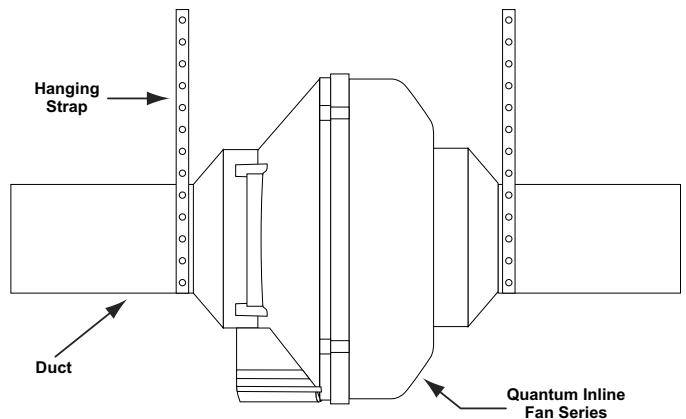
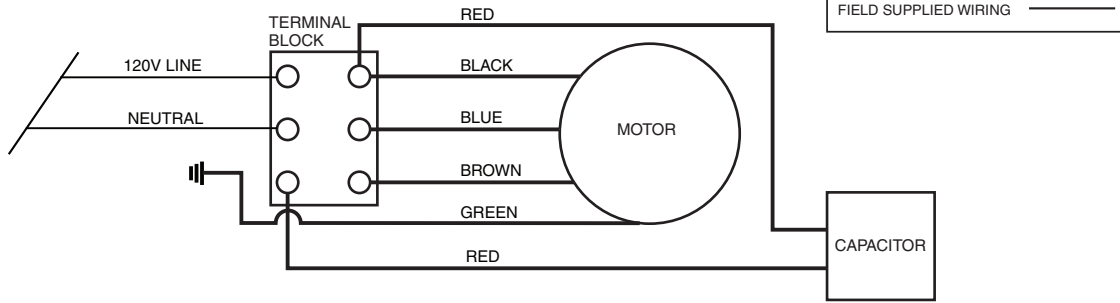
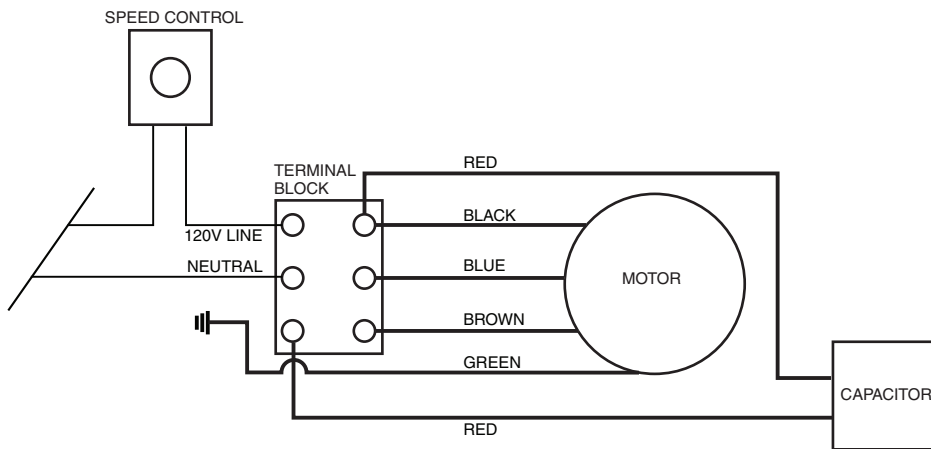


Figure 3

NO SPEED CONTROL



WITH SPEED CONTROL



Troubleshooting

- Ensure 120 VAC supply to motor with Multi-Meter
- Check wiring diagram to ensure proper connections
- Check continuity of motor with a Multi-Meter
- Disconnect capacitor and check capacitor with Multi-Meter

⚠ CAUTION

Disconnect all power sources before attempting any service.

Maintenance

- Fan bearings are sealed and have an internal lubricating material, no lubrication is required.
- Once per year, remove any dust/dirt, debris from the impeller.