

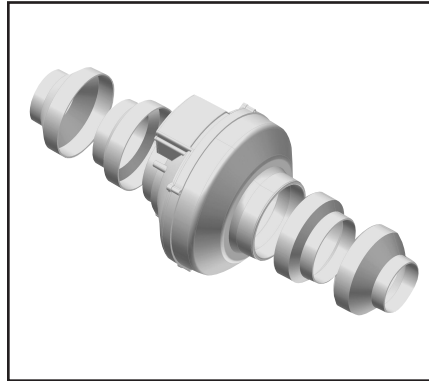


# Quantum

## INLINE FAN SERIES

### MULTI POINT BATHROOM EXHAUST KIT WITH QUANTUM COMBI FAN

#### Model 99-NBQ-BEK-COMBI



#### General

Before installation, careful consideration must be given to how this system will operate if connected to any other piece of mechanical equipment. It is always important to assess how the operation of any air movement device may interact with vented combustion equipment (i.e. Gas Furnaces, Oil Furnaces, Wood Stoves, etc.).

NEVER install a ventilator in a situation where its normal operation, lack of operation or partial failure may result in the backdrafting or improper functioning of vented combustion equipment without proper safety/warning devices installed as required.

#### Table of Contents

General .....	1
Table of Contents .....	1
Specifications .....	3
Assembly .....	4
Installing Supply/Exhaust Grill .....	6
Electrical .....	7
Troubleshooting .....	7
Maintenance .....	7





Airia Quantum Series Inline fans are approved for both Residential and Commercial applications. The superior plastic resin is suitable for applications requiring fire rated materials and provides a quiet, weatherproof, versatile fan.

Plastic fans are suitable for indoor OR outdoor installations and are suitable for temperatures of -40°F (-40°C) to 140°F (60°C).

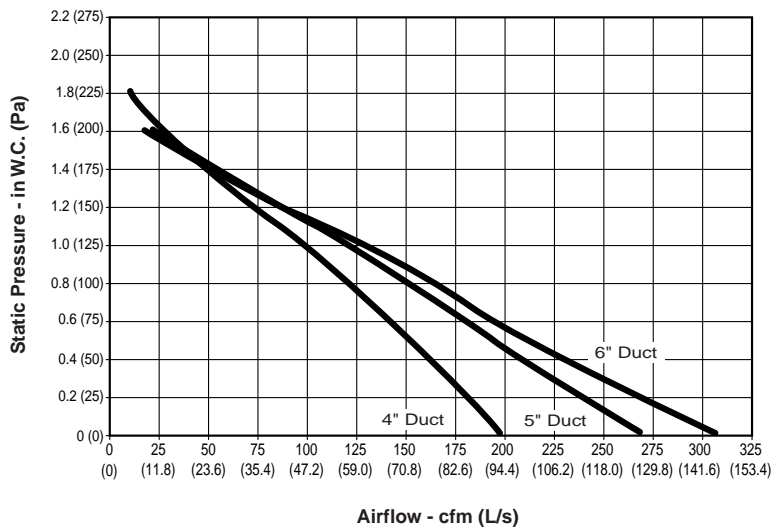
**⚠ WARNING**

Do not use fan where water can/will accumulate inside fan housing. When required – always use suitable electrical connections to prevent water from entering the fan housing.

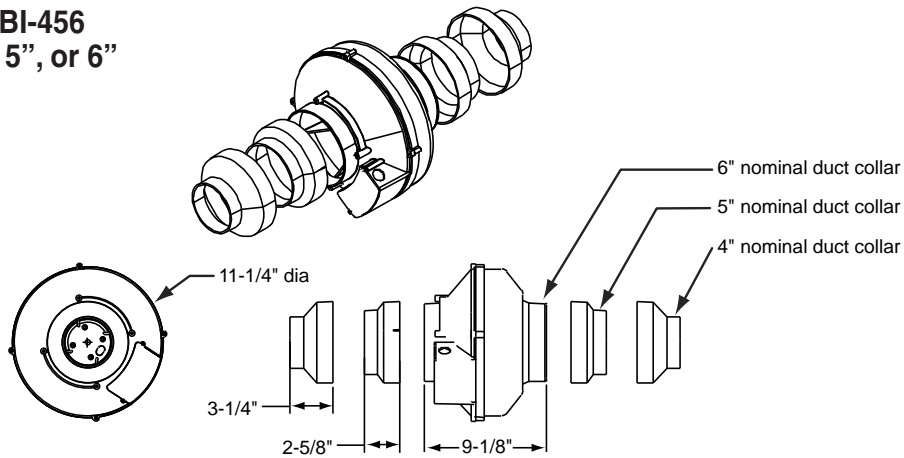
**⚠ CAUTION**

For general ventilation only. DO NOT use this fan to exhaust hazardous or explosive material and vapors.

**NBQ-COMBI-456 - Field Selectable 4", 5" or 6"**



**Model 99-NBQCOMBI-456**  
**Field Selectable 4", 5", or 6"**



## Assembly

The unique COMBI fan can be configured in either 4 inch, 5 inch, 6 inch, OR any combination of the three.

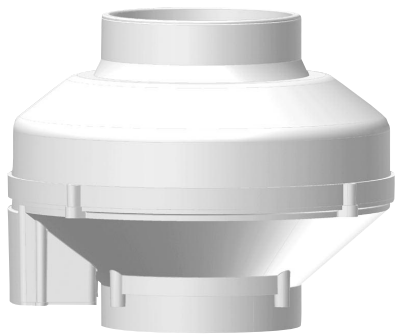
The collars will fit on the main housing with a tapered friction fit. No sealant is required. Locate screw slot on collar and use 1 - 1/4" hex head screw (supplied) per collar to secure collar in place.

Collars included with this fan

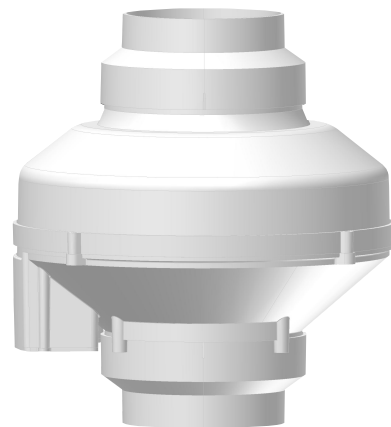
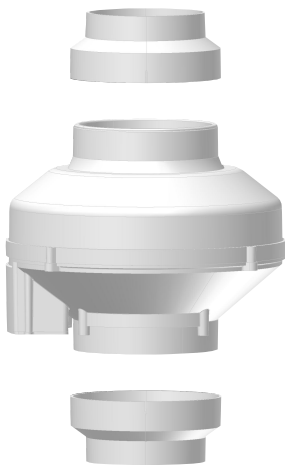
- 2 – 4" collars
- 2 – 5" collars

The following configurations are available:

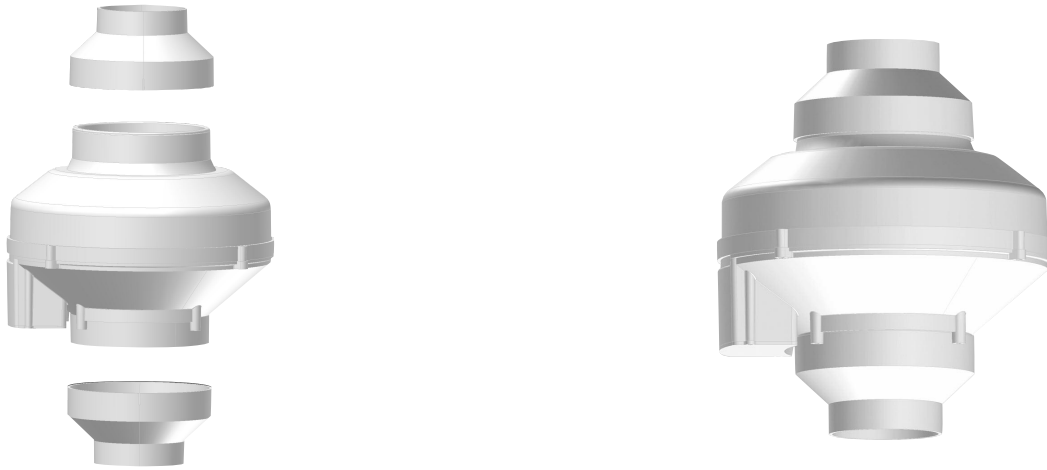
### **Six Inch Dedicated (no collars required)**



### **Five Inch Dedicated (attach 2 - 5" collars)**

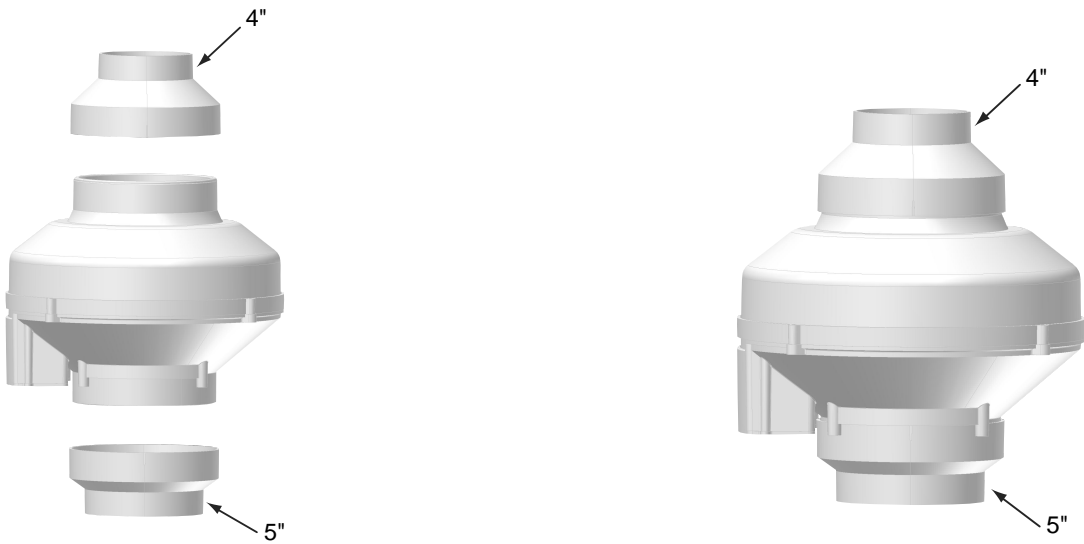


**Four Inch Dedicated (attach 2 – 4" collars)**



**Combination**

Example -- 4 inch and 5 inch collars. Any combination of sizes can be used.



## Installing Supply/Exhaust Grill

### Step 1

Select the grill mounting point within the area to be ventilated. To ease installation, locations of framing beams within the walls or joists supporting the ceiling should be considered. Collar is provided with a perforated hanging strap for attachment directly to a beam or joist. If the location of the grill does not allow direct attachment, a cross-member mounted to the framing should be used.

### Step 2

Place the mounting collar in the selected location and trace a circle onto the surface. From the interior side of the room, cut through the surface. Please note: In order to assure a smoother finish when mounting through a sheetrock or tile type ceiling, it is recommended that a razor knife be used to make the cut.

### Step 3

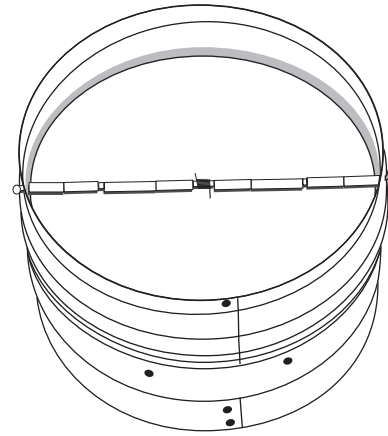
From within the attic or crawl space, place the mounting collar into the hole until the edge of the collar is flush with the interior wall or ceiling surface. Attach collar to the support beam with the 2" wood screws provided. Attach duct work. Please note: If beam or joist exceeds the height of the collar, allow sufficient space between the collar and the beam to attach the duct work. Also, when attaching flex duct to the collar/damper combination and an immediate elbow is necessary, be certain that the elbow is installed with a "soft" bend to allow damper blades to operate properly.

### Step 4

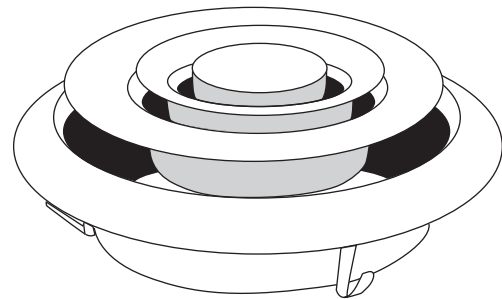
Open the grill deflectors for maximum air flow. Snap the grill into the mounting collar. Grill should be pushed tightly into place for an airtight fit - the tabs on the grill should securely "lock" the grill into place over the rolled band formed in the collar. Grill can now be adjusted for desired air flow (more open = more air; more closed = less air).

*When cleaning, the outer finish portion of the grill should remain locked into the collar and wiped down.*

*The inner deflectors can be completely removed.*

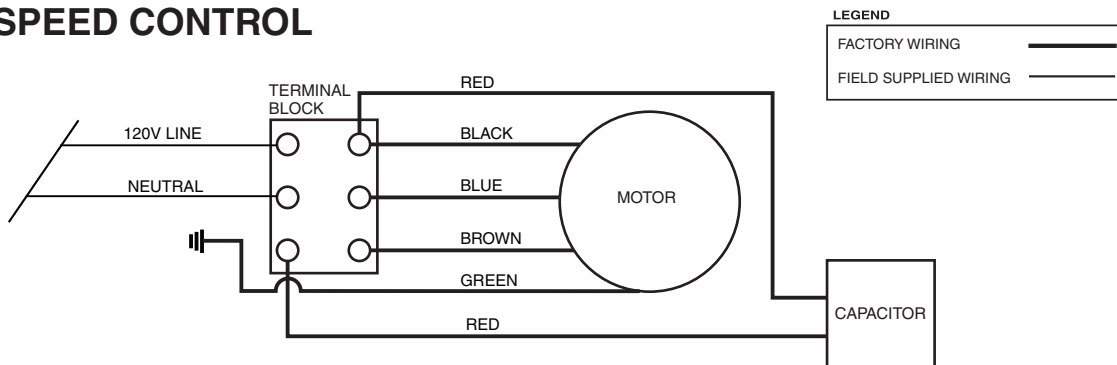


**Mount Collar**

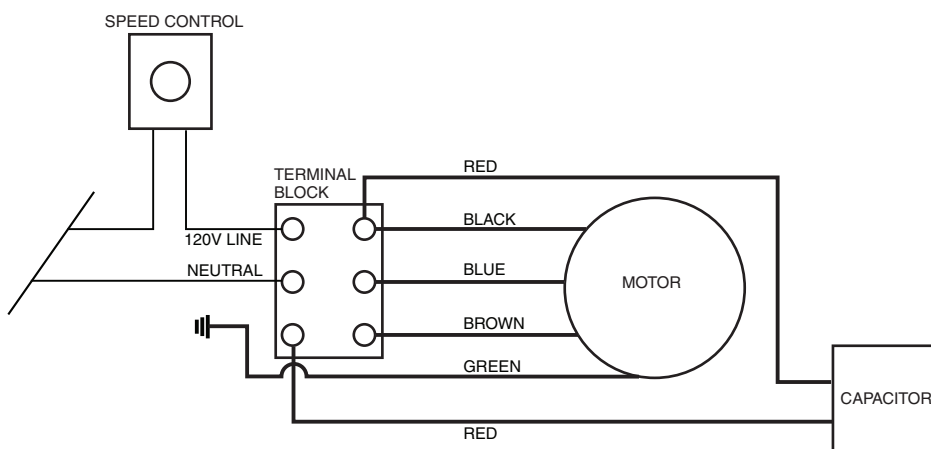


**Grill**

## NO SPEED CONTROL



## WITH SPEED CONTROL



## Troubleshooting

- Ensure 120 VAC supply to motor with Multi-Meter
- Check wiring diagram to ensure proper connections
- Check continuity of motor with a Multi-Meter
- Disconnect capacitor and check capacitor with Multi-Meter

**CAUTION**

**Disconnect all power sources before attempting any service.**

## Maintenance

- Fan bearings are sealed and have an internal lubricating material, no lubrication is required.
- Once per year, remove any dust/dirt, debris from the impeller.



511 McCormick Blvd.  
London, Ontario N5W 4C8  
T (519) 457-1904  
F (519) 457-1676  
Email: [info@lifebreath.com](mailto:info@lifebreath.com)

270 Regency Ridge, Suite 210  
Dayton, Ohio 45459  
T (937) 439-6676  
F (937) 439-6685  
Website: [www.lifebreath.com](http://www.lifebreath.com)

