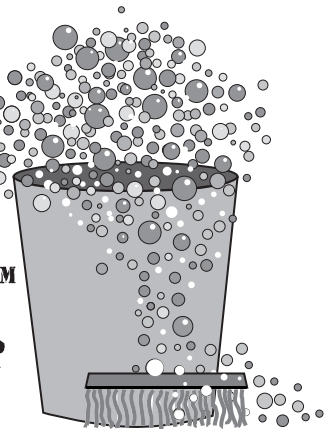


When Wood Smoke, Outside Odors, Dust, Pollen and Air Borne Pollutants are a problem ...

SCRUBBER™

AIR TREATMENT SYSTEM



Filtering the Air You Breathe ...

Filters are used to remove particles and odors from the air stream. The SCRUBBER™ air treatment system integrates a variety of filters into an effective air filtering system.

Prefilter - The prefilter is a white mesh polyester fiber. The purpose of this filter is to trap larger particles entering the SCRUBBER™.

Pleated Media Filter - This large 50 mm (2") filter is pleated to increase its surface area. It is a high performance, non woven cotton fabric reinforced with scrim and laminated to an expanded metal backup mesh. Media tests at 30 - 35% ASHRAE Test Method.

Activated Carbon Filters - The activated carbon filters function as purifying adsorptive nets by trapping odors and impurities in the activated carbon's vast surface network where they remain embedded.

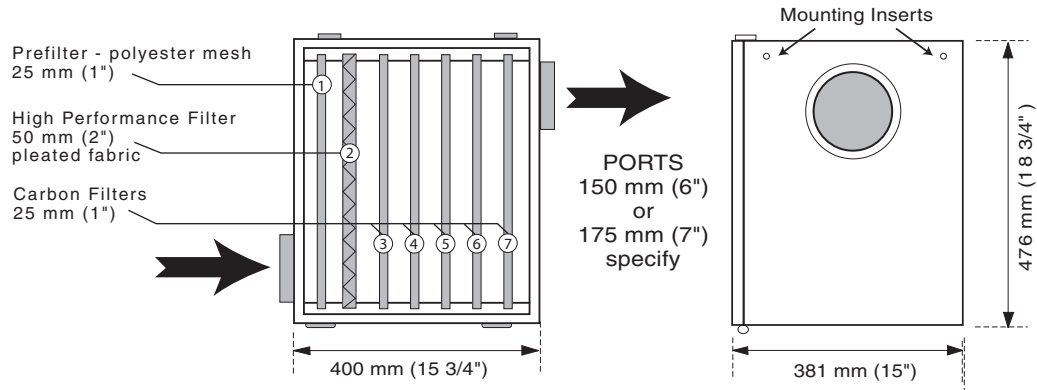


Model No. 94-600
Available with 6" or 7" ports
(please specify)

Standard SCRUBBER™ comes with:

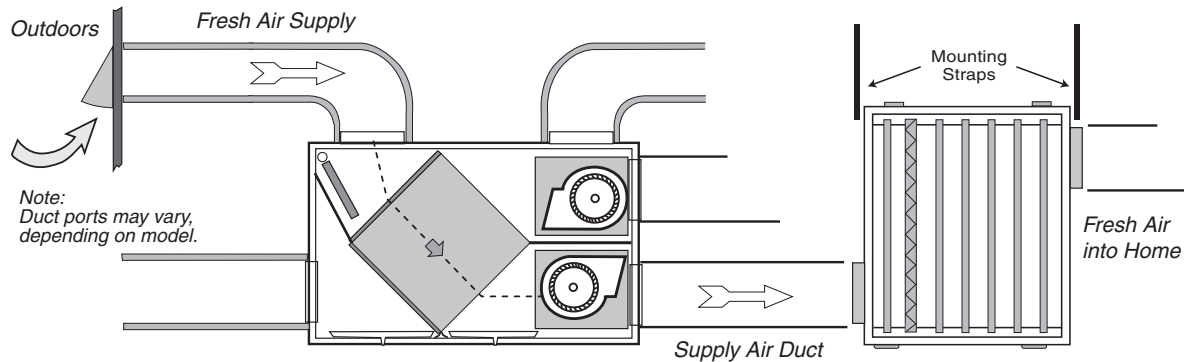
- 1 - Prefilter
- 5 - 1" Carbon Filter
- 1 - 2" High Performance non-woven cotton fabric. Media tested @ 30-35% (ASHRAE Test Method)

Dimensions & Measurements



Installing the SCRUBBER™

- 1) Locate the SCRUBBER™ where door can be opened and filters easily removed.
- 2) Four mounting straps are provided. Use mounting inserts at top corners of unit. Attach straps to wooden joists.
- 3) Fasten ductwork securely to port collars. Seal all connections with duct tape.



Replacement Filter Pack

Complete Replacement Pack - Standard Scrubber

Comes with one prefilter, five carbon filters and one pleated filter. Part # 94-601

Flow Rates were established by:

- Using a model 150 HRV (Heat Recovery Ventilator)
- Testing was performed with 5' of 6" round duct on fresh air supply with static ports and a damper installed in that stream.

Total Static Pressure, HRV & SCRUBBER™ Pa (in. wg)	Total Static Pressure, HRV & SCRUBBER™ Pa (in. wg)	Air flow with SCRUBBER™ Ls (cfm)
50 (.2)	90 (190)	76 (160)
75 (.3)	85 (180)	71 (150)
100 (.4)	83 (175)	64 (135)

Air flows determined using an HRV used in typical home installation. SCRUBBER™ installed on HRV's warm air supply duct to home. SCRUBBER™ was equipped with 150 mm (6") ports.



511 McCormick Blvd.
London, Ontario N5W 4C8
T (519) 457-1904
F (519) 457-1676
Email: info@lifebreath.com

270 Regency Ridge, Suite 210
Dayton, Ohio 45459
T (937) 439-6676
F (937) 439-6685
Website: www.lifebreath.com

