

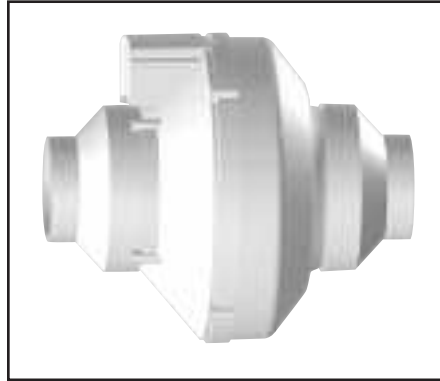


Quantum

INLINE FAN SERIES

BATHROOM EXHAUST KIT WITH QUANTUM DEDICATED 4" INLINE FAN

Model 99-NBQ-BEK-4



General

Before installation, careful consideration must be given to how this system will operate if connected to any other piece of mechanical equipment. It is always important to assess how the operation of any air movement device may interact with vented combustion equipment (i.e. Gas Furnaces, Oil Furnaces, Wood Stoves, etc.).

NEVER install a ventilator in a situation where its normal operation, lack of operation or partial failure may result in the backdrafting or improper functioning of vented combustion equipment without proper safety/warning devices installed as required.

Table of Contents

General	1
Table of Contents	1
Specifications	3
Installation	4
Mounting	4
Installing Supply/Exhaust Grill	5
Electrical	6
Troubleshooting	6
Maintenance	6



Airia Quantum Series Inline fans are approved for both Residential and Commercial applications. The superior plastic resin is suitable for applications requiring fire rated materials and provides a quiet, weatherproof, versatile fan.

Plastic fans are suitable for indoor OR outdoor installations and are suitable for temperatures of -40°F (-40°C) to 140°F (60°C).

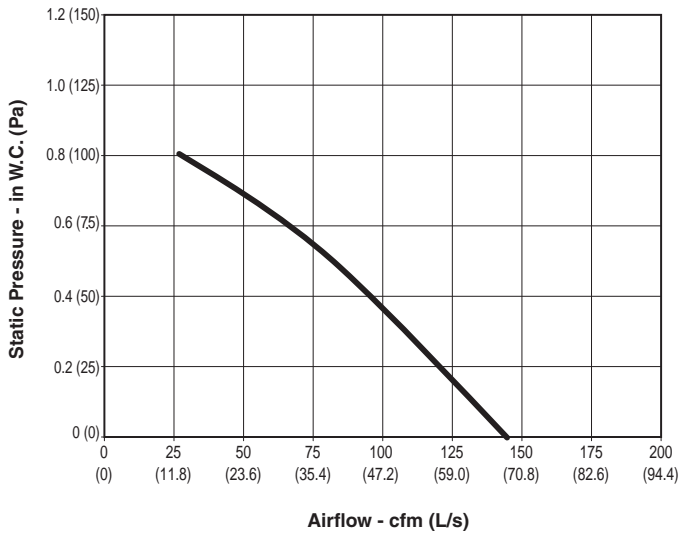
⚠ WARNING

Do not use fan where water can/will accumulate inside fan housing. When required – always use suitable electrical connections to prevent water from entering the fan housing.

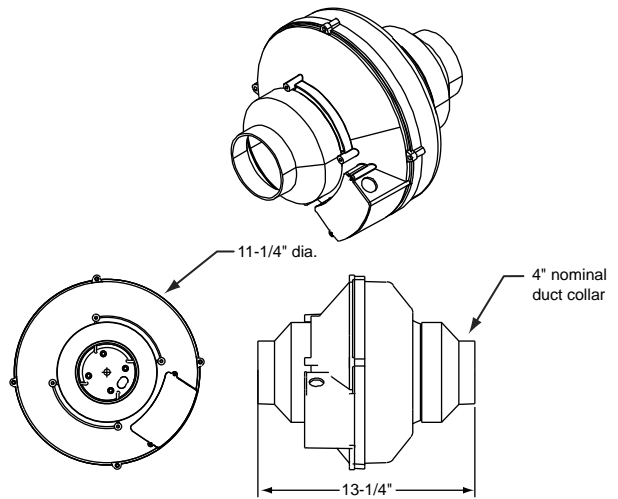
⚠ CAUTION

For general ventilation only. DO NOT use this fan to exhaust hazardous or explosive material and vapors.

NBQ125-4 - Dedicated 4"



Model 99-NBQ125-4



Installation

Mounting

Fans can be mounted in ANY position (vertical, horizontal, diagonal).

Option 1

A mounting bracket is included for securing the fan. Please observe the mounting 'bosses' on one end of the fan. All necessary hardware is included for mounting the fan with the supplied bracket (see Figure 1).



Figure 1

Option 2

Optional Stabilizing Mounting Clamps are available for mounting the fan. These clamps are designed to absorb mechanical vibration and provide a stable mounting point (see Figure 2).

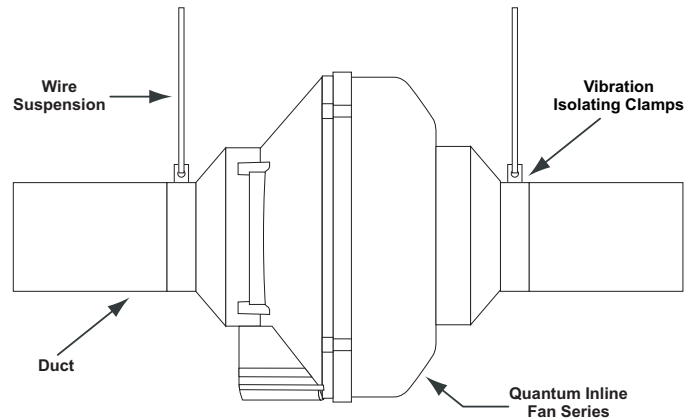


Figure 2

Option 3

The fan can be supported using standard hanging straps as illustrated. It is recommended to use a short piece of flexible ducting on each end of the fan to isolate any mechanical vibration (see Figure 3).

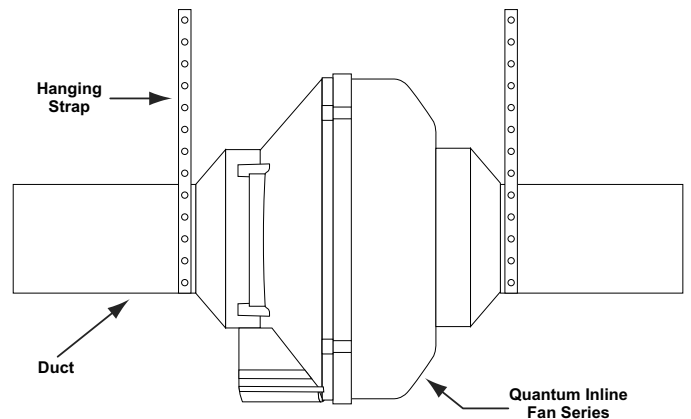


Figure 3

Installing Supply/Exhaust Grill

Step 1

Select the grill mounting point within the area to be ventilated. To ease installation, locations of framing beams within the walls or joists supporting the ceiling should be considered. Collar is provided with a perforated hanging strap for attachment directly to a beam or joist. If the location of the grill does not allow direct attachment, a cross-member mounted to the framing should be used.

Step 2

Place the mounting collar in the selected location and trace a circle onto the surface. From the interior side of the room, cut through the surface. Please note: In order to assure a smoother finish when mounting through a sheetrock or tile type ceiling, it is recommended that a razor knife be used to make the cut.

Step 3

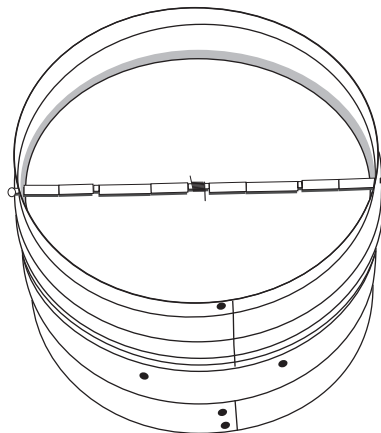
From within the attic or crawl space, place the mounting collar into the hole until the edge of the collar is flush with the interior wall or ceiling surface. Attach collar to the support beam with the 2" wood screws provided. Attach duct work. Please note: If beam or joist exceeds the height of the collar, allow sufficient space between the collar and the beam to attach the duct work. Also, when attaching flex duct to the collar/damper combination and an immediate elbow is necessary, be certain that the elbow is installed with a "soft" bend to allow damper blades to operate properly.

Step 4

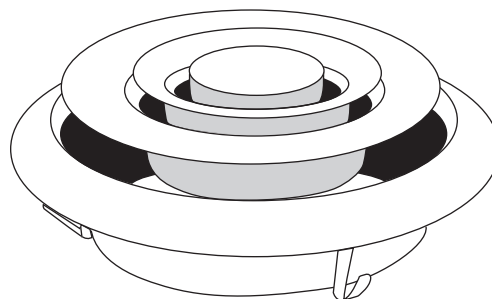
Open the grill deflectors for maximum air flow. Snap the grill into the mounting collar. Grill should be pushed tightly into place for an airtight fit - the tabs on the grill should securely "lock" the grill into place over the rolled band formed in the collar. Grill can now be adjusted for desired air flow (more open = more air; more closed = less air).

When cleaning, the outer finish portion of the grill should remain locked into the collar and wiped down.

The inner deflectors can be completely removed.

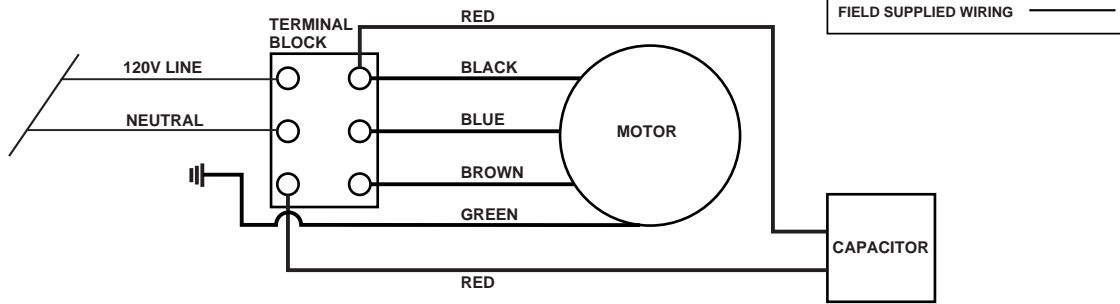


Mount Collar

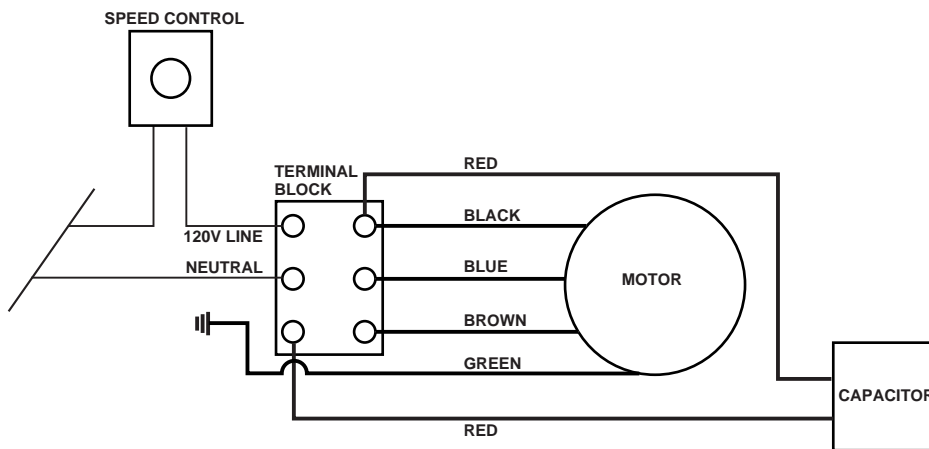


Grill

NO SPEED CONTROL



WITH SPEED CONTROL



Troubleshooting

- Use a multimeter to ensure a 120 VAC supply to motor.
- Check wiring diagram to ensure proper connections.
- Use a multimeter to test continuity to motor.
- Disconnect capacitor and check capacitor with multimeter.

⚠ CAUTION
Disconnect all power sources before attempting any service.

Maintenance

- Fan bearings are sealed and have an internal lubricating material, no lubrication is required.
- Once per year, remove any dust/dirt and debris from the impeller.



511 McCormick Blvd.
London, Ontario N5W 4C8
T (519) 457-1904
F (519) 457-1676
Email: info@lifebreath.com

270 Regency Ridge, Suite 210
Dayton, Ohio 45459
T (937) 439-6676
F (937) 439-6685
Website: www.lifebreath.com

